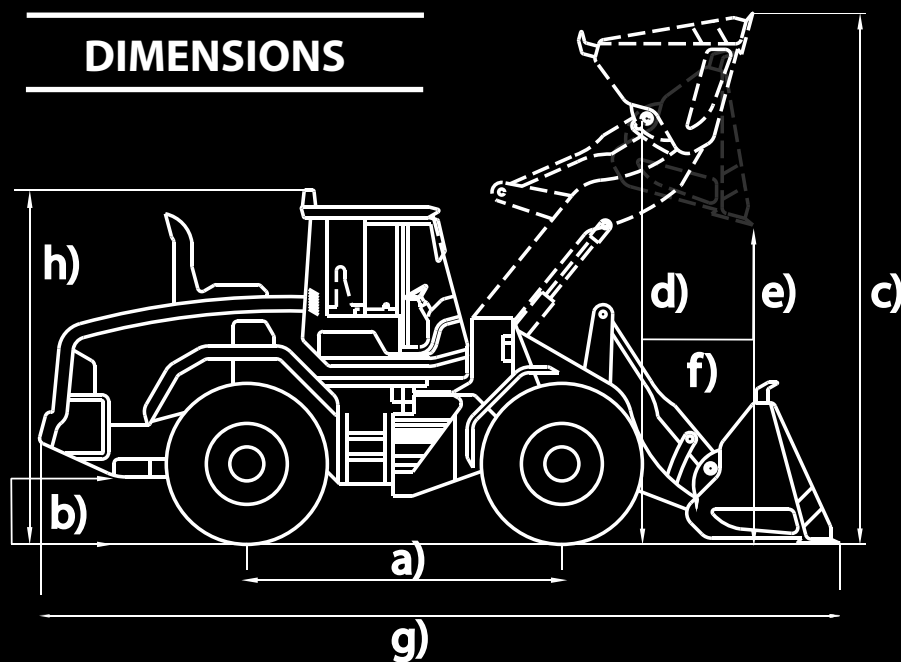




WHEEL LOADER
M120HD

MICHIGAN[®]

MICHIGAN M120HD



PALA CARGADORA

M120HD

Code:	10582830N
Weight:	46600 Lb
Bucket Capacity:	4.5 yd ³
Loader Device Control:	Joystick Hidr.
Tipping Load:	13227 Lb
Max. load height:	19.7 ft
Brake System:	Double independent circuit with hydro-pneumatic disc.
Hydraulic Cycle Time – Lift:	6 s
Hydraulic Pressure System:	16 Mpa
Engine - Model:	Weichai
Engine - Rated Power:	240 Hp
Engine - Max. Torque:	920 Nm
Engine - Displacement:	2.6 Gal
Transmission	Powershift 4WD
Tire Type	23.5-25 L-3 20PR TT
a) Wheelbase:	11 ft
b) Clearance	1.4 ft
Track width	7.4 ft
c) Max. load height	19.7 ft
d) Bolt height	15 ft
e) Dumping Height	11.2 ft
f) Max. Reach	4 ft
g) Total length	28.2 ft
Width	9.4 ft
h) Height	11.2 ft